

Shut-off valves

Type AV700

NG 6 ISO

up to 25 l/min, up to **700 bar**

Features

- Bidirectional (flow in both directions, independent of pressure port)
- Poppet tight



Applications

Shut-off valves are used to shut off and open hydraulic connections at any pressure and pressure difference up to 700 bar. Furthermore, it can also be used as a drain valve against the tank.

Design

- As cartridge
- As modular valve

Technical data

Hydraulic fluid	mineral oil according to DIN 51524 (other fluids on request)
Fluid temperature range	- 20 to 80 °C
Ambient temperature range	- 30 to 50 °C
Viscosity range	5 to 400 mm ² /s
Porting	NG 6 according to DIN 24340/ISO 4401/CETOP RP 121 H
Max. operating pressure connection P, A, B	700 bar
Max. operating pressure connection T	350 bar
Max. flow rate	25 l/min
Filtration (recommendation)	according to NAS 1638, class 6 resp. ISO/DIN 4406 17/15/12
Pressure drop	at 25 l/min (fully open) and 32 mm ² /s: 15 bar
Weight	see overview "Product information"
Materials	cartridge body: high strength steel (burnished) valve body: corrosion-resistant steel handle: grey cast iron

Type AV700

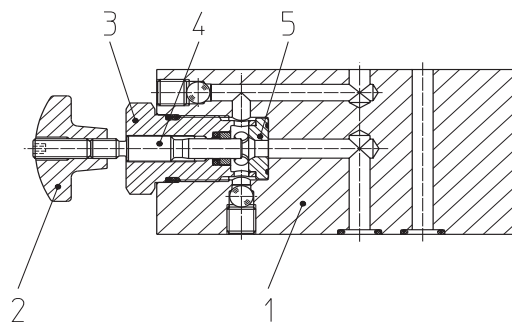
NG 6 ISO
up to 25 l/min, up to 700 bar

Type code







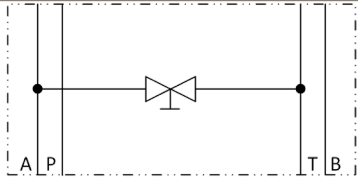
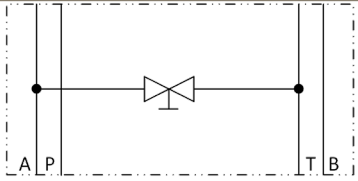
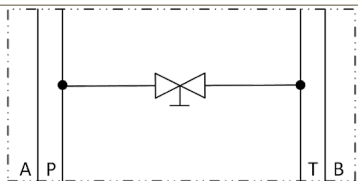
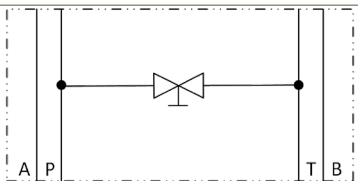
Example	AV	700	-	6	-	E	-	700	-	S	-	V	-	A			00	
Shut-off valves																		Design 00 ... 99 For internal purposes
Size		700 bar																Index Please leave blank For internal purposes
Nominal size		6																Design revision For internal purposes
Design																		
E						cartridge												
PP						shut-off valve in P												
AA						shut-off valve in A												
AT						shut-off valve A to T												
PT						shut-off valve P to T												
Max. operating pressure		700 bar																
Design																		
S						star knob												
K						lever handle												
Seal material						V		FKM										
								other seal materials on request										

Design

- 1) valve body
- 2) adjusting knob
- 3) cartridge body
- 4) spindle
- 5) seat



Product information

Design cartridge	S (star knob)	K (lever handle)
Design	E	
Type code	AV700-6-E-700-S-V-A*00	AV700-6-E-700-K-V-A*00
Part No.	3678553	on request
Symbol		
Weight	0,12 kg	0,12 kg
Design	PP	
Type code	AV700-6-PP-700-S-V-A*00	AV700-6-PP-700-K-V-A*00
Part No.	on request	on request
Symbol		
Weight	1,9 kg	1,9 kg
Design	AA	
Type code	AV700-6-AA-700-S-V-A*00	AV700-6-AA-700-K-V-A*00
Part No.	on request	on request
Symbol		
Weight	1,9 kg	1,9 kg
Design	AT	
Type code	AV700-6-AT-700-S-V-A*00	AV700-6-AT-700-K-V-A*00
Part No.	on request	on request
Symbol		
Weight	1,51 kg	1,51 kg
Design	PT	
Type code	AV700-6-PT-700-S-V-A*00	AV700-6-PT-700-K-V-A*00
Part No.	on request	on request
Symbol		
Weight	1,51 kg	1,51 kg

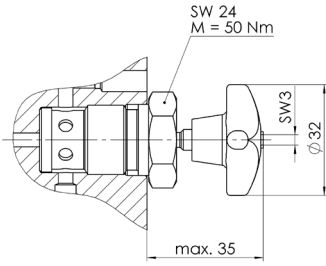
Type AV700

NG 6 ISO
up to 25 l/min, up to 700 bar

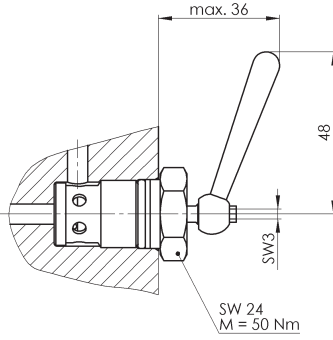
Dimensional drawings

E

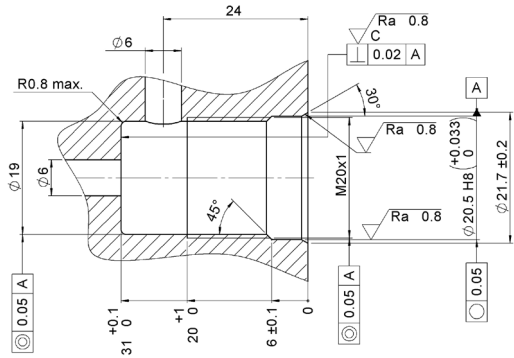
with star knob



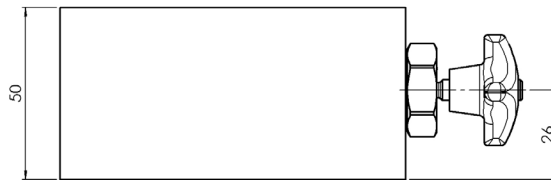
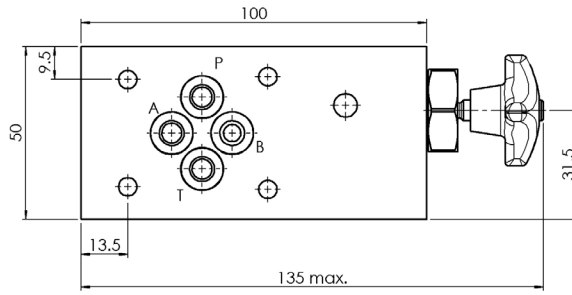
with lever handle



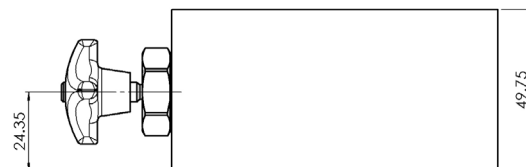
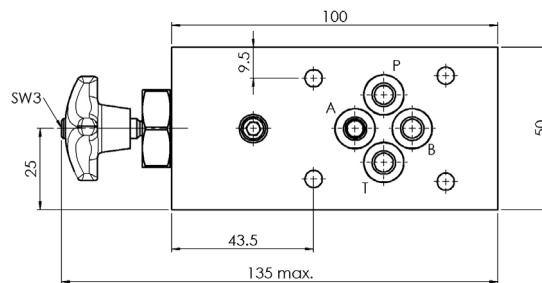
E cavity



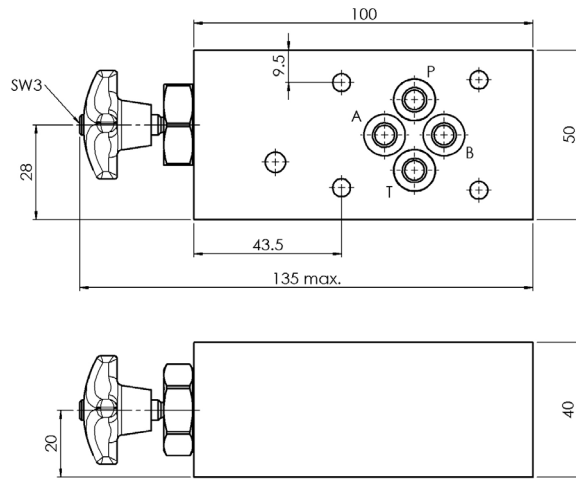
PP



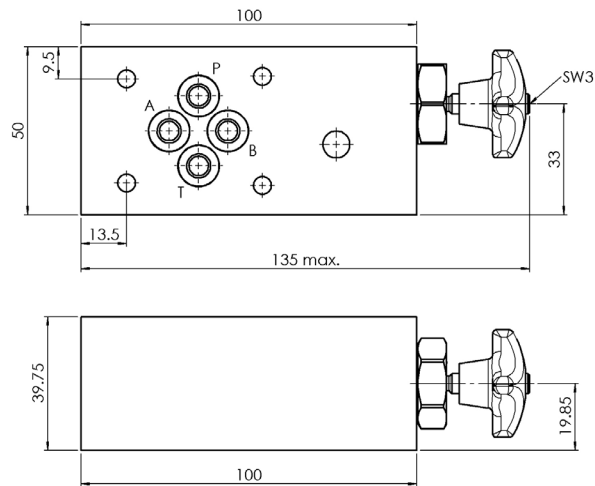
AA



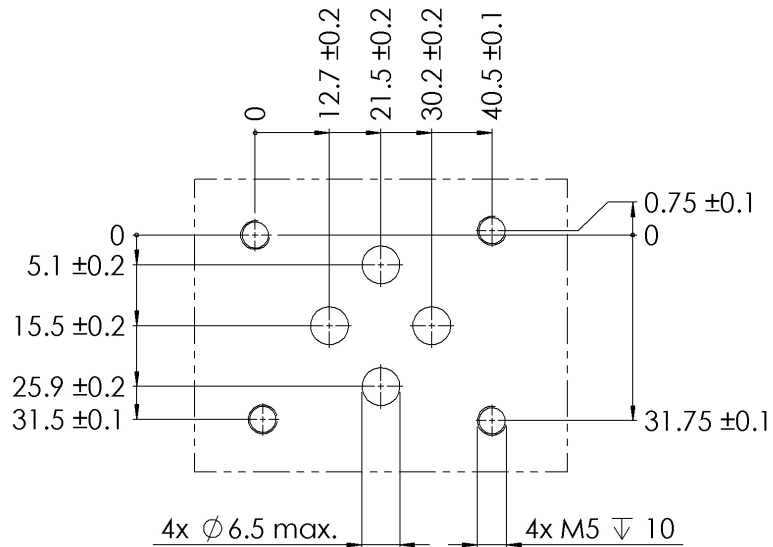
AT



PT



Drilling pattern



Scope of delivery

For each valve the following is included:
4 pieces O-rings 9,25 x 1,78 mm, 90°ShA

Accessories

Tie bolts/ fixing screws and subplates are optionally available,
see technical data sheet AP700/RP700/EP700

Spare parts

Item description	Part No.
4 x O-ring 9,25 x 1,78, FKM, 90 Shore A	4484542
1 x O-ring 13 x 1,5, FKM, 80 Shore A	
1 x O-ring 17,17 x 1,78, FKM, 90 Shore A	
1 x support ring	
Protective cover 76 x 45 x 10	4007851

Bieri Hydraulik AG

Könizstrasse 274
CH-3097 Liebefeld
Tel. +41 31 970 09 09 | Fax +41 31 970 09 10
info@bierihydraulics.com | www.bierihydraulics.com

The information in this brochure relates to the operating conditions and applications described.

For applications and operating conditions not described, please contact the relevant technical department.

Subject to technical modifications.