

Radial piston pumps

Type BRK501/502

light version

up to **500 bar**

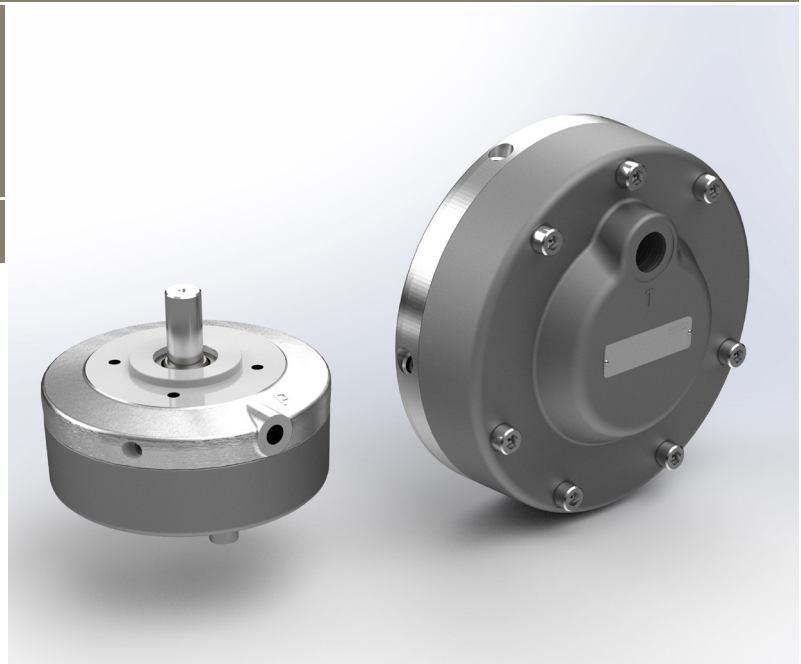
0.76 to 8.14 cm³/rev

700 bar → see data sheet BRK701/702

1000 bar → see data sheet BRK1001/1002

Features

- High volumetric efficiency
- Self-venting and priming
- Low pulsation

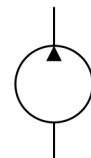


Applications

- Machine tools
- Clamping device
- Power units (e.g. for presses)
- Lifting systems
- Hydraulic tools
- For applications in test benches use BRK701/702 or BRK1001/1002

Design

- Radial piston pump of modular design
- With valve controlled pumping elements
- With 3, 5, 7 or 9 pumping elements



Technical data

Hydraulic fluid	mineral oil according to DIN 51524 (other fluids on request)
Fluid temperature range	-20 to 80 °C
Ambient temperature range	-30 to 50 °C
Viscosity range	5 to 220 mm ² /s
Max. operating pressure	500 bar, peak pressure 700 bar (reduces bearing life)
Operating pressure suction side	-0.2 bar to 0.5 bar gauge pressure (up to 5 bar on request)
Displacement volume	0.76 to 8.14 cm ³ /rev
Filtration (recommendation)	according to NAS 1638 class 6 resp. ISO/DIN 4406 17/15/12
Axial force onto driving shaft	can't be taken up
Radial force onto driving shaft	on request
Max. rotation speed	2000 rpm
Direction of rotation	any
Suction height	max. 500 mm
Weight	see overview "Product information"
Materials	pressure flange: forged steel driving shaft: steel cover: diecast aluminium

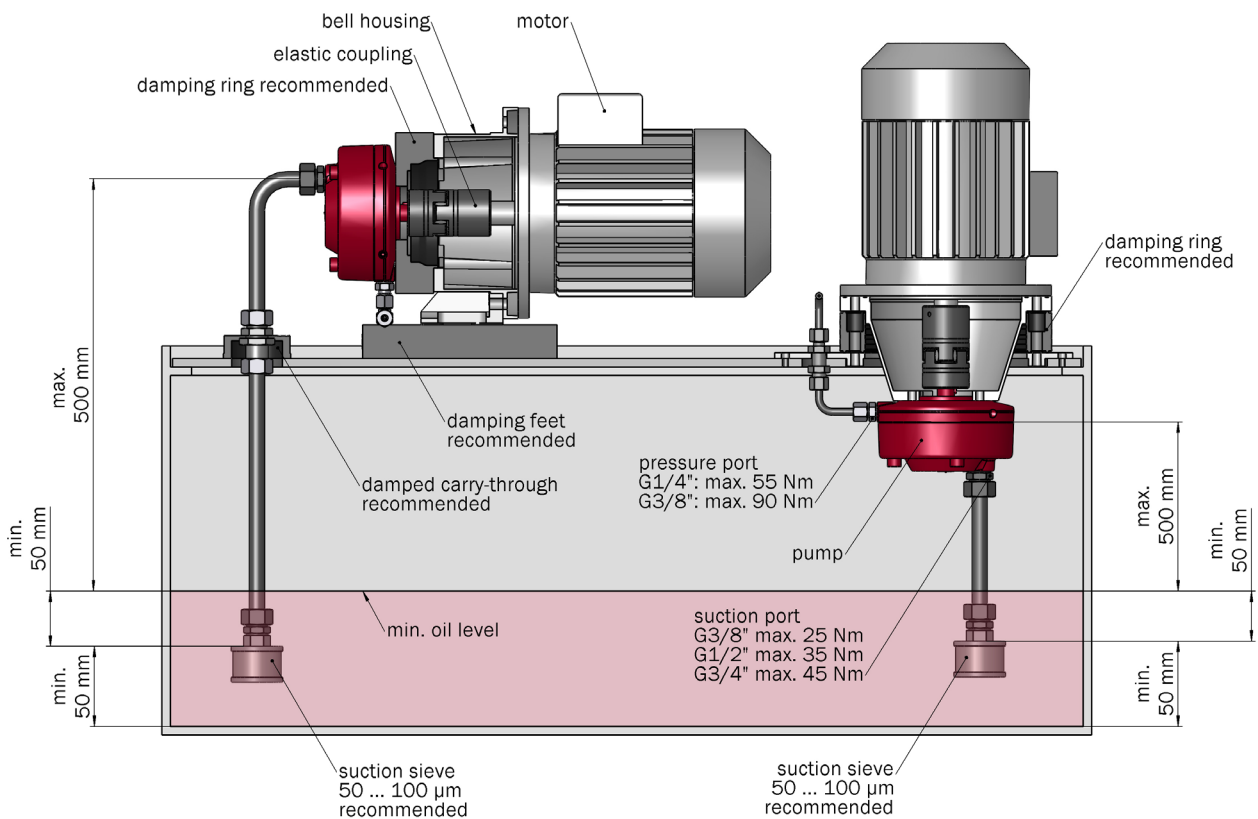
Type BRK501/502

light version
up to 500 bar
0.76 to 8.14 cm³/rev

Type code

Example	BRK 501 - 1,31 - 500 - V - C	00
Radial piston pumps		Design 00 ... 99 For internal purposes
Size	501 502	
Displacement volume [cm³/rev]	See overview "Product information"	Index Please leave blank For internal purposes
Max. operating pressure [bar]	See overview "Product information"	Design revision For internal purposes
Seal material	V FKM other seal materials on request	

Mounting



Product information

size	displacement volume [cm ³ /rev]	max. operating pressure [bar]	max. rotation speed [rpm]	number of pumping elements	weight [kg]	max. torque [Nm]	max. power* [kW]	part no.
501	0.76	500	2000	3	6.2	6.93	1.25	on request
501	0.94	500	2000	3	6.2	8.52	1.55	on request
501	1.31	500	2000	3	6.2	12.69	2.15	on request
501	1.53	500	2000	3	6.2	13.87	2.50	on request
501	2.01	500	2000	5	6.7	17.85	3.20	on request
501	2.54	500	2000	5	6.7	22.59	4.06	on request
501	2.71	500	2000	3	6.5	25.91	4.45	on request
501	3.14	500	2000	5	6.9	29.36	5.01	on request
501	3.56	500	2000	7	7.3	32.15	5.62	on request
501	4.52	400	2000	5	7.0	34.08	5.77	on request
501	6.33	250	2000	7	7.3	29.66	5.00	on request
502	4.52	500	2000	5	14.5	41.69	7.21	on request
502	5.65	500	2000	9	15.2	51.91	8.92	on request
502	6.33	500	2000	7	14.9	58.22	9.99	on request
502	7.31	500	2000	9	15.2	66.84	11.54	on request
502	8.14	450	2000	9	15.2	68.05	11.57	on request

* at n = 1500 rpm; $\eta_t = 0,8$; $p = p_{max}$

Calculation of driving motor power

$$P = \frac{p \cdot V_g \cdot n \cdot k}{\eta_t \cdot 600 \cdot 10^3}$$

P = driving power [kW]
 p = operating pressure [bar]
 V_g = displacement volume [cm³/rev]
 n = speed [rpm]
 η_t = overall efficiency approx. 0.8

k = pulsation factor

- with 3 pumping elements: k approx. 1.05
- with 5 pumping elements: k approx. 1.02
- with 7 pumping elements: k approx. 1.01
- with 9 pumping elements: k approx. 1.00

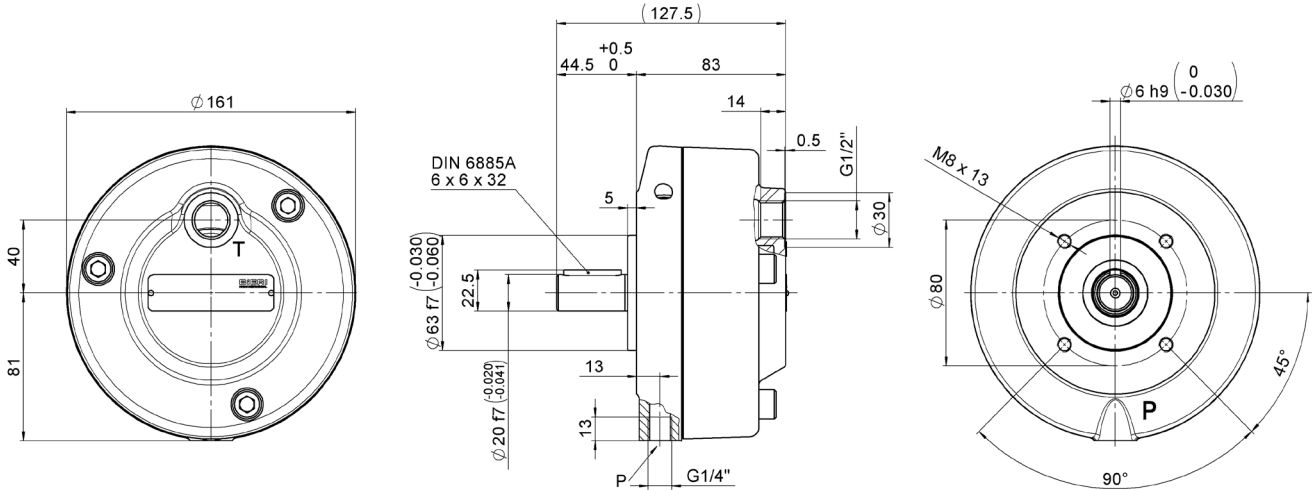
Calculation of driving motor torque

$$M = \frac{p \cdot V_g}{62,8 \cdot \eta_t}$$

M = torque [Nm]

Dimensional drawings

Size BRK501



Size BRK502

